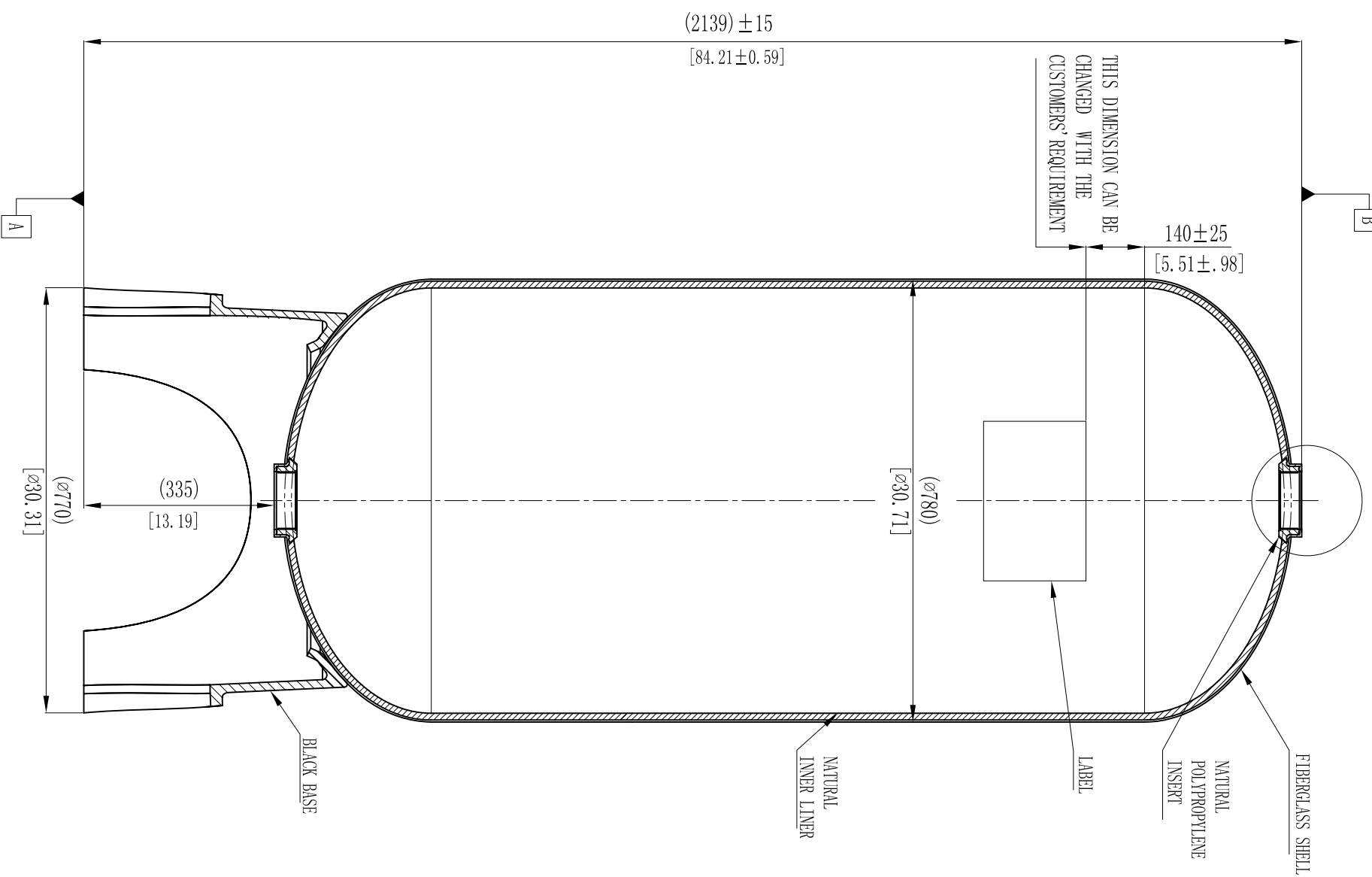
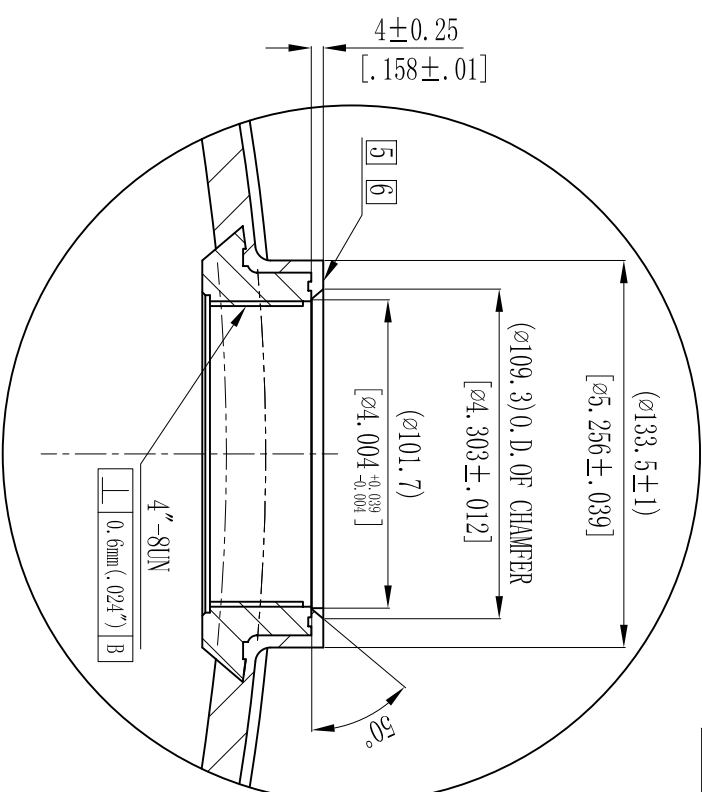


MODEL	VOLUME		DOME VOLUME		WEIGHT	
	liters	U.S. gal	liters	U.S. gal	kg	LBS
30x72	697	184.1	24.63	72.07	19.03	2.55
						90.25
						198.8

1.2.5



- NOTES:
- TANK MUST MEET ALL APPLICABLE SPECIFICATIONS OF NSF/ANSI 044 STANDARD, LATEST REVISION.
 - OPERATING SPECIFICATIONS:
 - A. MAXIMUM WORKING PRESSURE - 150 PSI (10.5BAR)
 - B. TEMPERATURE RANGE - 34-120° F (-1-49°C)
 - C. MAXIMUM VACUUM - 5"Hg (127mm Hg)
 - VISUAL LINER INSPECTION
 - A. NO MORE THAN 10 INTERNAL OR EXTERNAL BLEMISHES OR BURNT DEBRIS.
 - B. NO INTERNAL OR EXTERNAL BLEMISHES OR BURNT DEBRIS LARGER THAN 3×3mm.
 - C. NO INTERNAL BLEMISHES OR BURNT DEBRIS ALLOWED.
 - ALL GLASS STRANDS FROM FIBERGLASS LINER TO BE BONDED AND COVERED.
 - SURFACE TO BE FREE OF NICKS, SCRATCHES, RESIN AND GLASS.
 - SURFACE FINISH.
 - DIMENSIONS IN PARENTHESIS ARE REFERENCE ONLY.
 - DIMENSIONS IN SQUARE PARENTHESIS ARE INCH UNIT.
 - TANK TO BE BONDED TO BASE.
 - USING A STANDARD LEVEL WITH TANK POSITIONED ON A LEVEL SURFACE, DATUM B TO BE PARALLEL WITH DATUM A. BUBBLE OR LEVEL MUST FALL COMPLETELY WITHIN LINES WHEN MEASURED AT 90° INTERVALS.
 - AFTER THE TANK IS LEVELED, IT IS RECOMMENDED THAT THE TANK BE BOLTED TO THE FLOOR IN SIX POSITIONS PER THE TRIPOD BASE BOLT HOLE PATTERN WITH 3/8" ANCHORS.

4	THIS DRAWING IS UPDATED CORRECTING WITH THE CHINESE VERSION			2008/07/21
VERSION NO.	DESCRIPTION OF CHANGES:	SIGNATURE:	DATE:	
REFERENTIAL PLASTIC SHRINKAGE (IF NECESSARY):				
SIGNATURE				
DESIGN	NAME	DATE		
INSPECTION				
APPROVAL				
THIS PRODUCT DRAWING CAN NOT BE COPIED AND/OR USED WITHOUT PRIOR WRITTEN APPROVAL OF WAVE CYBER				
SCALE		MATERIAL	MODEL	
1 : 10			30"FRP PRESSURE VESSEL (DOUBLE OPENING)	
QUANTITY	SMOOTHNESS	COMPUTER CODE	DRAWING NO.	VERSION NO.
			111302-00	4
DO NOT MEASURE THE DIMENSIONS.		UNIT: MM	TOTAL PAGE: 1	

WAVE CYBER (SHANGHAI) CO., LTD.