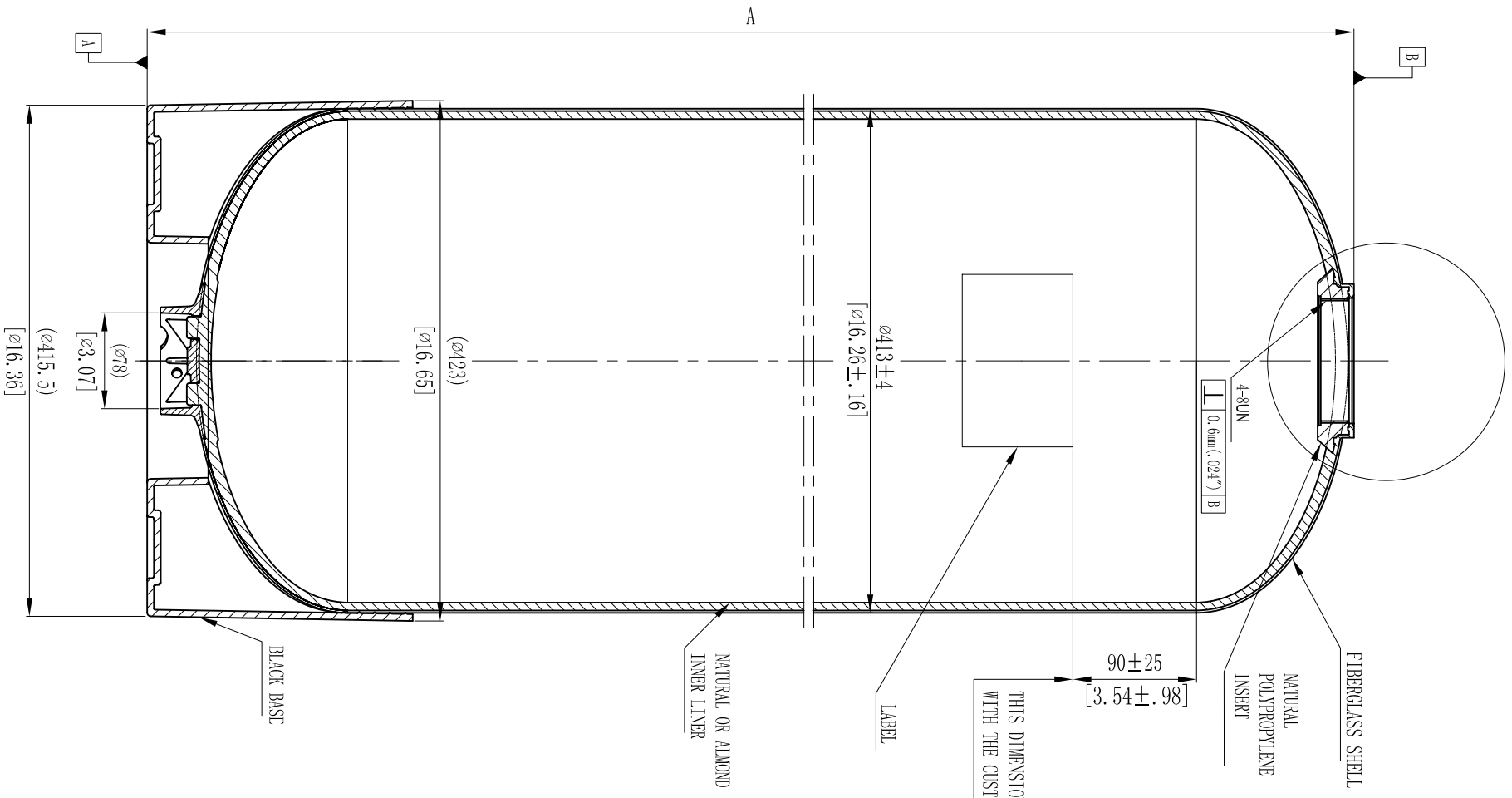
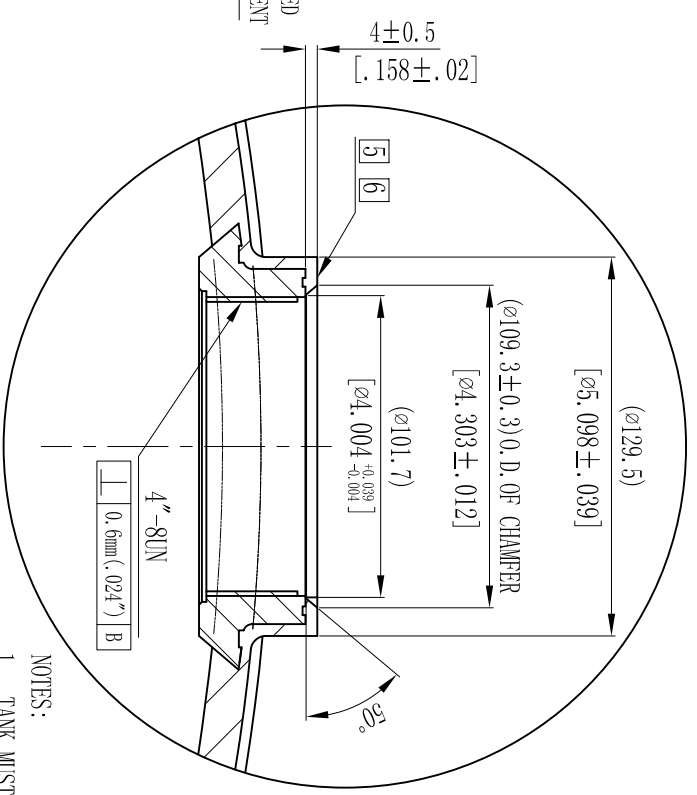


00-291111



THIS DIMENSION CAN BE CHANGED WITH THE CUSTOMERS' REQUIREMENT



1:2.5

| MODEL | A | | | VOLUME | | | DOME VOLUME | | | WEIGHT | |
|-------|------|-------|-------------|--------|----------|----------|-------------|----------|----------|--------|-------|
| | mm | inch | +/- inch | liters | U.S. gal | cubic FT | liters | U.S. gal | cubic FT | kg | LBS |
| 16x28 | 735 | 28.94 | 4 .16 | 76 | 20.08 | 2.69 | 9.15 | 2.42 | 0.32 | 10.46 | 23.02 |
| 16x52 | 1341 | 52.80 | 6 .24 | 153 | 40.4 | 5.41 | 9.15 | 2.42 | 0.32 | 14.46 | 31.81 |
| 16x55 | 1412 | 55.59 | 6 .24 | 162 | 42.8 | 5.72 | 9.15 | 2.42 | 0.32 | 15.20 | 33.44 |
| 16x65 | 1671 | 65.79 | 6 .24 | 194 | 51.3 | 6.86 | 9.15 | 2.42 | 0.32 | 18.65 | 41.03 |

NOTES:

- TANK MUST MEET ALL APPLICABLE SPECIFICATIONS OF NSF/ANSI 044 STANDARD, LATEST REVISION.
- OPERATING SPECIFICATIONS:
 - MAXIMUM WORKING PRESSURE - 150 PSI (10.5BAR)
 - TEMPERATURE RANGE - 34-120° F (-49°C)
 - MAXIMUM VACUUM - 5"Hg (127mm Hg)
- VISUAL LINER INSPECTION
 - NO MORE THAN 10 INTERNAL OR EXTERNAL BLEMISHES OR BURNT DEBRIS.
 - NO INTERNAL OR EXTERNAL BLEMISHES OR BURNT DEBRIS LARGER THAN 3×3mm.
 - NO INTERNAL BLEMISHES OR BURNT DEBRIS ALLOWED.
- ALL GLASS STRANDS FROM FIBERGLASS LINER TO BE BONDED AND COVERED.
- SURFACE TO BE FREE OF NICKS, SCRATCHES, RESIN AND GLASS.
- SURFACE FINISH.
- DIMENSIONS IN PARENTHESES ARE REFERENCE ONLY.
- DIMENSIONS IN SQUARE PARENTHESES ARE INCH UNIT.
- USING A STANDARD LEVEL WITH TANK POSITIONED ON A LEVEL SURFACE, DATUM B TO BE PARALLEL WITH DATUM A. BUBBLE OF LEVEL MUST FALL COMPLETELY WITHIN LINES WHEN MEASURED AT 90° INTERVALS.

| | | | | |
|--|------|--|---------------|---------------|
| VERSION NO. | 7 | THIS DRAWING IS UPDATED COMPLYING WITH THE CHINESE VERSION | DATE | 2010/12/14 |
| REFERENTIAL PLASTIC SHRINKAGE (IF NECESSARY): | | DESCRIPTION OF CHANGES: | SIGNATURE | |
| SIGNATURE | | WAVE CYBER (SHANGHAI) CO., LTD. | | |
| DESIGN | NAME | DATE | SCALE | MATERIAL |
| INSPECTION | | | 1 : 5 | |
| APPROVAL | | | QUANTITY | SMOOTHNESS |
| THIS PRODUCT DRAWING CAN NOT BE COPIED AND/OR USED WITHOUT PRIOR WRITTEN APPROVAL OF WAVE CYBER. | | PROJECTION | COMPUTER CODE | DRAWING NO. |
| | | DO NOT MEASURE THE DIMENSIONS. | UNIT: MM | 111162-00 |
| | | | UNIT: MM | VERSION NO. 7 |
| | | | TOTAL PAGE: 1 | |