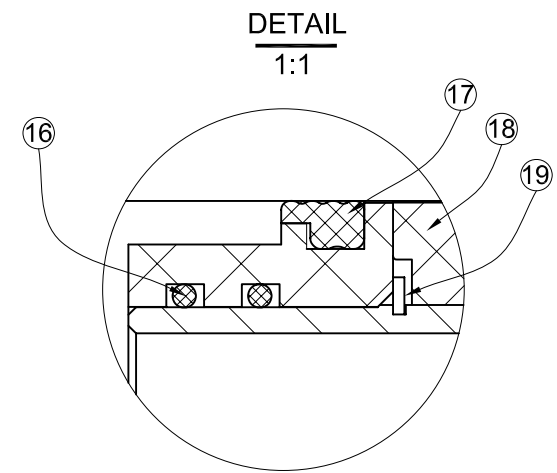


PERMEATE PORT
OPTION M---NPT 1 1/4" MALE THREAD

PERMEATE PORT
OPTION F---NPT 1" FEMALE THREAD;
OPTION G---Rp 1" FEMALE THREAD;
OPTION H--- UNION ADAPTOR;
FIT 32mm(O.D) PIPE
OPTION J---UNION ADAPTOR;
FIT 1.32"(O.D) PIPE
OPTION V---Mechanical Coupling 1"-ABS;
OPTION S---Mechanical Coupling 1"-SS;



PERMEATE PORT 300 PSI	DRAWING NO.	CODE	PERMEATE PORT SPECS	COMPUTER CODE
24300-03-09		N	NPT 1 1/2" MALE THREAD	11155
24300-03-06		M	NPT 1 1/4" MALE THREAD	10108
24300-03-03		S	MECHANICAL COUPLING 1"-SS	10093
24300-03-03		V	MECHANICAL COUPLING 1"-ABS	10093
24300-03-03		J	UNION ADAPTOR(American Standard)	10093
24300-03-03		F	NPT 1" FEMALE THREAD	10093
24300-03-03		G	Rp 1" FEMALE THREAD	10093
24300-03-03		H	UNION ADAPTOR(National Standard)	10093

SHELL Length Code	L Inch (mm)	S Span Inch (mm)	Shell Weight lb (kg)
-1	62.0 (1575)	1@28 (711)	35.2 (16)
-1.5	82.0 (2083)	1@42 (1067)	44 (20)
-2	102.0 (2591)	1@56 (1422)	51.7 (23.5)
-3	142.0 (3607)	1@80 (2032)	68.2 (31)
-4	182.0 (4623)	2@64 (1626)	84.7 (38.5)
-5	222.0 (5639)	2@78 (1981)	101.2 (46)
-6	262.0 (6655)	2@92 (2337)	117.7 (53.5)
-7	302.0 (7671)	2@106 (2692)	134.2 (61)
-7.5	322.0 (8179)	2@114 (2896)	143 (65)
-8	342.0 (8687)	2@120 (3048)	150.7 (68.5)

ITEM	DESCRIPTION	DRAWING NO.	QTY	MATERIAL	COMPUTER CODE
23	ALUMINUM PLATE LABEL		2	ADHESIVE LABEL	40245
22	LOGO LABEL		2	ADHESIVE LABEL	40255
21	SERIAL NO. LABEL		1	ARTPAPER 20*53	40425
20	ALLEN SCREW		4	M5*10 STAINLESS STEEL, GRADE 8.8	20132
19	END PORT RETAINING RING	(24300-06)ED25-08-06	2	SA479.316	20108
18	BEARING PLATE	(24300-05)ED30-08-05	2	6061-T651.SB-211	20066
17	HEAD SEAL	23300-26-02	2	EPDM	11126
16	END PORT O RING	(24300-04)ED25-08-04	4	EPDM	10180
15	STRAP PROTECTIVE JACKET	(23300-19)EC30-08-19	2or3	SOFT PVC	10188
14	STRAP NUT	(23300-18)EC30-08-18	4or6	Hpb51-9	20123
13	STRAP	(23300-17)EC30-08-17	2or3	A666. 304	20123
12	SADDLE	(23300-16)EC30-08-16	2or3	TPU (S60D)	10141
11	STRAP SCREW		4or6	M8*90 STAINLESS STEEL, GRADE 8.8	20129
10	PERMEATE RETAINING RING	(23300-03)EC30-08-03	2	A580. 316	20107
9	EMBEDDED RING	(23300-15)EC30-08-15	2	SA-312. TP316L	20072
8	RETAINING RING	(23300-12)EC30-08-12	2	SA-479. 316	20025
7	PERMEATE PORT	SEE "PERMEATE PORT CONFIGURATIONS"	2	PF062-3	SEE THE CHART
6	PERMEATE PORT O RING	(23300-08)EC30-08-08	2	EPDM	10181
5	THRUST CONE	(24300-07)ED25-08-07	1	PP	10193
4	ADAPTOR(Ø29.1)	(23300-13)EC30-08-13	2	ABS CHIMEI 757K	10125
3	ADAPTOR O RING	(23300-14)EC30-08-14	4	EPDM	10182
2	END PORT	(24300-02)ED25-08-02	2	SA-312. TP316L	20101
1	SHELL	(24300-01)ED25-08-01	1	FIBER GLASS + EPOXY	

TECHNICAL REQUIREMENT

- MANUFACTURED IN CONFORMITY TO 《 ASME BOILER&PRESSURE VESSEL CODE 》 SECTION X: 《 FIBER REINFORCED PLASTIC PRESSURE VESSELS 》 -CLASS I VESSLES;
 - MAX OPERATING PRESSURE: 300Psi (2.0684MPa) , ALLOWABLE TEMPERATURE RANGE: 20°F(-7°C) ~ 120°F(49°C), NOT APPLICABLE TO CORROSIVE LIQUID ;
 - LEAKAGE TEST: HYDRO TEST, TESTED AT 1.1 TIMES ITS OPERATING PRESSURE, I.E.: 330Psi (2.2752MPa) , SAMPLE RATE: 100% ;
- NOTE: DIMENSIONS IN PARENTHESIS ARE REFERENCE ONLY.

REVISION	DESCRIPTION	SIGNATURE	DATE
10	HEAD SEAL CHANGED;		2011/02/12
9	SHELL WEIGHT CHANGED;		2010/12/01

SIGNATURE		WAVE CYBER (SHANGHAI) CO., LTD.			
NAME	DATE				
DESIGN		SCALE	MATERIAL	MODEL	WAVE-300E-8
INSPECTION		1:6		DESCRIPTION	
APPROVAL		QUANTITY	SMOOTHNESS	300E-8 MEMBRANE HOUSING	
THIS PRODUCT DRAWING CAN NOT BE COPIED AND/OR USED WITHOUT PRIOR WRITTEN APPROVAL OF WAVE CYBER.		PROJECTION	COMPUTER CODE	DRAWING NO.	VERSION NO.
		DO NOT MEASURE THE DIMENSIONS.		UNIT: MM	TOTAL PAGE: 1