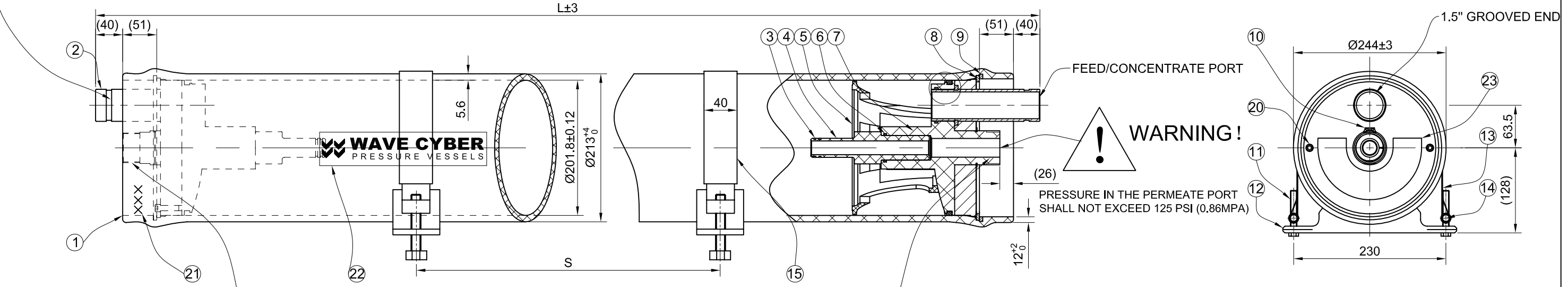


FEED/CONCENTRATE PORT



PERMEATE PORT  
OPTION M---NPT 1 1/4" MALE THREAD

PERMEATE PORT  
OPTION F---NPT 1" FEMALE THREAD;  
OPTION G---Rp 1" FEMALE THREAD;  
OPTION H--- UNION ADAPTOR;  
FIT 32mm(O.D) PIPE  
OPTION J---UNION ADAPTOR;  
FIT 1.32"(O.D) PIPE  
OPTION V---Mechanical Coupling 1"-ABS;  
OPTION S---Mechanical Coupling 1"-SS;

PERMEATE PORT 450 PSI	24300-03-09	N	NPT 1 1/2" MALE THREAD	11156
	24300-03-06	M	NPT 1 1/4" MALE THREAD	10109
	24300-03-03	S	MECHANICAL COUPLING 1"-SS	10094
	24300-03-03	V	MECHANICAL COUPLING 1"-ABS	10094
	24300-03-03	J	UNION ADAPTOR(American Standard)	10094
	24300-03-03	F	NPT 1" FEMALE THREAD	10094
	24300-03-03	G	Rp 1" FEMALE THREAD	10094
24300-03-03	H	UNION ADAPTOR(National Standard)	10094	
DESCRIPTION	DRAWING NO.	CODE	PERMEATE PORT SPECS	COMPUTER CODE

SHELL Length Code	L Inch (mm)	S Span Inch (mm)	Shell Weight lb (kg)
-1	62.4 (1586)	1@28 (711)	37.4 (17)
-1.5	82.4 (2094)	1@42 (1067)	47.3 (21.5)
-2	102.4 (2602)	1@56 (1422)	55 (25)
-3	142.4 (3618)	1@80 (2032)	72.6 (33)
-4	182.4 (4634)	2@64 (1626)	90.2 (41)
-5	222.4 (5650)	2@78 (1981)	107.8 (49)
-6	262.4 (6666)	2@92 (2337)	125.4 (57)
-7	302.4 (7682)	2@106 (2692)	143 (65)
-7.5	322.4 (8190)	2@114 (2896)	152.9 (69.5)
-8	342.4 (8698)	2@120 (3048)	160.6 (73)

23	ALUMINUM PLATE LABEL		2	ADHESIVE LABEL	40247
22	LOGO LABEL		2	ADHESIVE LABEL	40255
21	SERIAL NO. LABEL		1	ARTPAPER 20*53	40425
20	ALLEN SCREW		4	M5*10 STAINLESS STEEL, GRADE 8.8	20132
19	PORT RETAINING RING	(24400-06)ED40-08-06	2	SA-213, TP316L	20119
18	BEARING PLATE	(24400-05)ED40-08-05	2	6061-T654, SB-211	20067
17	HEAD SEAL	23300-26-02	2	EPDM	11126
16	FEED PORT O RING	(24300-04)ED25-08-04	4	EPDM	10180
15	STRAP PROTECTIVE JACKET	(23300-19)EC30-08-19	2or3	SOFT PVC	10188
14	STRAP NUT	(23300-18)EC30-08-18	4or6	Hpb51-9	20123
13	STRAP	(23300-17)EC30-08-17	2or3	A666, 304	20123
12	SADDLE	(23300-16)EC30-08-16	2or3	TPU (S60D)	10141
11	STRAP SCREW		4or6	M8*90 STAINLESS STEEL, GRADE 8.8	20129
10	PERMEATE RETAINING RING	(23300-03)EC30-08-03	2	A580, 316	20107
9	EMBEDDED RING	(23450-15)EC45-08-15	2	SA-312, TP316L	20073
8	RETAINING RING	(23300-12)EC30-08-12	2	SA479,316	20025
7	PERMEATE PORT	SEE "PERMEATE PORT CONFIGURATIONS"	2	PF062-3	SEE THE CHART
6	PERMEATE PORT O RING	(23300-08)EC30-08-08	2	EPDM	10181
5	THRUST CONE	(24300-07)ED25-08-07	1	PP	10193
4	ADAPTOR(Ø29.1)	(23300-13)EC30-08-13	2	ABS CHIMEI 757K	10125
3	ADAPTOR O RING	(23300-14)EC30-08-14	4	EPDM	10182
2	FEED/CONCENTRATE PORT	(24400-02)ED40-08-02	2	SA-312,TP316L	20102
1	SHELL	(24450-01)ED45-08-01	1	FIBER GLASS + EPOXY	
ITEM	DESCRIPTION	DRAWING NO.	QTY	MATERIAL	COMPUTER CODE

TECHNICAL REQUIREMENT

- MANUFACTURED IN CONFORMITY TO 《 ASME BOILER&PRESSURE VESSEL CODE 》 SECTION X: 《 FIBER REINFORCED PLASTIC PRESSURE VESSELS 》 -CLASS I VESSELS;
  - MAX OPERATING PRESSURE: 450Psi ( 3.1026MPa ) , ALLOWABLE TEMPERATURE RANGE: 20°F(-7°C) ~ 120°F(49°C), NOT APPLICABLE TO CORROSIVE LIQUID ;
  - LEAKAGE TEST: HYDRO TEST, TESTED AT 1.1 TIMES ITS OPERATING PRESSURE, I.E.: 495Psi ( 3.4129MPa ) , SAMPLE RATE: 100% ;
- NOTE: DIMENSIONS IN PARENTHESIS ARE REFERENCE ONLY.

9	HEAD SEAL CHANGED;			2011/02/12
8	SHELL WEIGHT CHANGED;			2010/12/01
REVISION	DESCRIPTION	SIGNATURE	DATA	
REFERENTIAL PLASTIC SHRINKAGE (IF NECESSARY):				
SIGNATURE		<b>WAVE CYBER (SHANGHAI) CO., LTD.</b>		
DESIGN	NAME	DATE	SCALE	MODEL
INSPECTION			1:6	WAVE-450E-8
APPROVAL			QUANTITY	DESCRIPTION
THIS PRODUCT DRAWING CAN NOT BE COPIED AND/OR USED WITHOUT PRIOR WRITTEN APPROVAL OF WAVE CYBER.			SMOOTHNESS	450E-8 MEMBRANE HOUSING
			PROJECTION	DRAWING NO.
			COMPUTER CODE	VERSION NO.
DO NOT MEASURE THE DIMENSIONS.		UNIT: MM	TOTAL PAGE: 1	